

C-SERIES

C3500 - 5000 Diesel

The multi-directional forklift designed for the safe, space saving and productive handling of long and bulky loads.

COMBILIFT

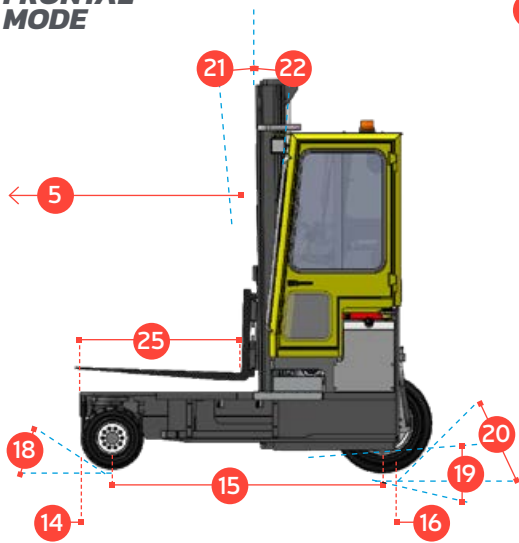
LIFTING INNOVATION



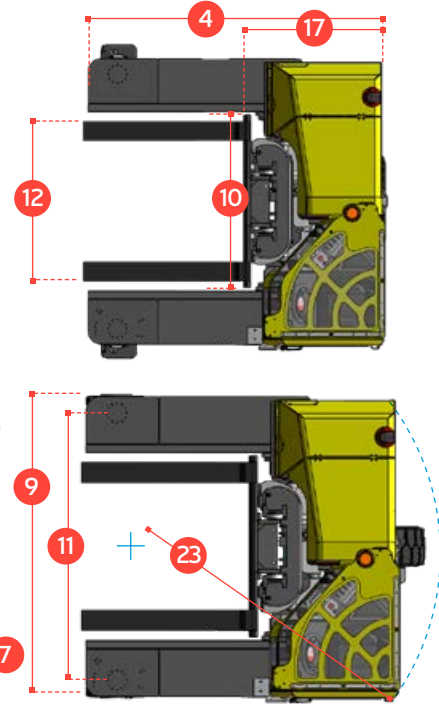
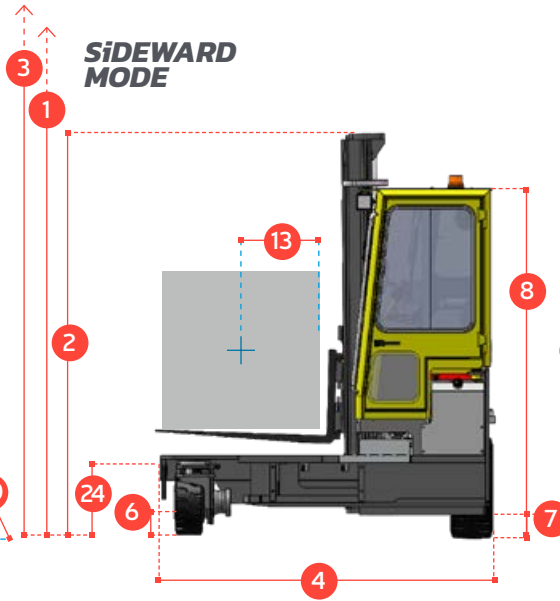
C-SERIES

C3500 - 5000 Diesel

FRONTAL MODE

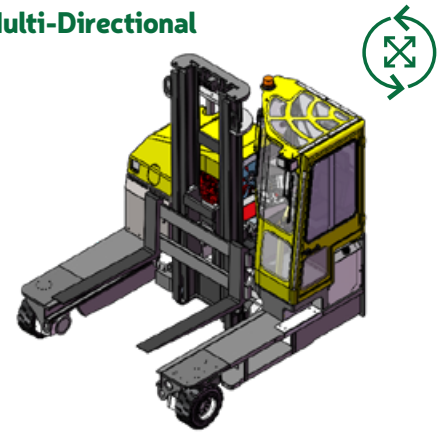


SIDEWARD MODE



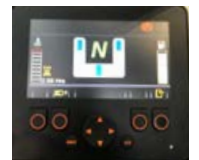
DESCRIPTION		C3500	C4000	C5000
1a	Standard Lift Height		4040 mm	
1b	Free Lift Height		0 mm	
2	Height Mast Closed		2855 mm	
3	Max. (Mast Raised)		4870 mm	
4	Overall Length	1950 mm	2300 mm	2500 mm
5	Mast Travel	950 mm	1300 mm	1450 mm
6	Ground Clearance Under Mast		150 mm	
7	Ground Clearance to Wheelbase Centre		200 mm	
8	Height Over Cab or of Overhead Guard		2435 mm	
9	Width		2230 mm	
10	Outside Spread of Fork Arms		1350 mm	
11	Track Front		1990 mm	
12	Frame Opening		1400 mm	
13	Load Centre Distance		600 mm	
14	Overhang Front		235 mm	
15	Wheel Base	1565 mm	1915 mm	2115 mm
16	Overhang Back		115 mm	
17	Length from Face of Fork	1100 mm	1100 mm	1150 mm
18	Approach Angle		45°	
19	Ramp Angle		29°	
20	Departure Angle		45°	
21	Forward Tilt		3°	
22	Backward Tilt		5°	
23	Minimum Outside Radius	2000 mm	2325 mm	2490 mm
24	Platform Height		545 mm	
25	Platform Length	850 mm	1200 mm	1350 mm
A	Capacity	3500 kg	4000 kg	5000 kg
B	Unladen Weight	6050 kg	6300 kg	6800 kg
C	Maximum Ground Speed		15 km/h	
D	Gradeability		15%	
E	Deutz 2.9 litre Diesel (Europe)		55 kW	
F	Electrics		12 Volt	
G	Fork Sections 50mm x 150mm	850 mm	1200 mm	1350 mm
H	200 / 50 x 10 Super Elastic Front Tyre		OD450 mm / Width 200 mm	
I	28 x 12.5 - 15 Super Elastic Rear Tyre		OD 720 mm / Width 295 mm	
J	Standard Colour		Green and Grey	
K	Suspension Seat		KAB Model 116	

Multi-Directional



Features Include:

- Rubber Mounted Cabin
- Multi-Directional Operation
- 3 Wheel Hydrostatic Drive
- Load Sensing Steering
- 4 Way Lever Positioning of Wheels
- Hydraulic Oil Cooler
- Wheel Position Display



Distributed by:

European Patent No. 2167416; Brazilian Patent No. P10811954-6;
Australian Patent No. 2008253242 UK Patent No. 1803601.2

COMBILIFT HAS A POLICY OF CONTINUOUS PRODUCT DEVELOPMENT AND RESERVES THE RIGHT TO ALTER SPECIFICATIONS WITHOUT PRIOR NOTICE. SPECIFICATIONS AND/OR DIMENSIONS MAY VARY FROM THOSE ILLUSTRATED IN SOME COUNTRIES.